

# Bussole lisce

DIN 179

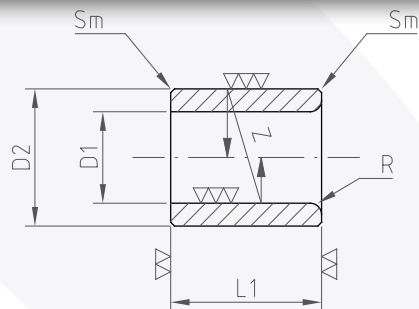
## Drill bushes without head



MADE IN ITALY

Esempio di ordinativo con nostro codice  
Example of purchase order using our code

| Bussole DIN 179C - L<br>DIN 179C - L bushes | Codice<br>Code | Materiale<br>Material | Misure<br>Measures |
|---|----------------|-----------------------|--------------------|
| ∅ 2.25                                      | 3BUDI          | 179C                  | 0225               |
| ∅ 63  | 3BUDI          | 179L                  | 6300               |



| D1 F7      | Step        | D2 n6 | CORTO / SHORT |    | LUNGO / LONG |       |
|------------|-------------|-------|---------------|----|--------------|-------|
|            |             |       | L1            |    | L1           |       |
| 2 - 2.6    | 0.1<br>0.25 | 5     | 6             | •  | 9            | •     |
| 2.7 - 3.3  |             | 6     |               | •  |              | •     |
| 3.4 - 4    |             | 7     | 8             | •  | 12           | •     |
| 4.1 - 5    |             | 8     |               | •  |              | •     |
| 5.1 - 6    |             | 10    | 10            | •  | 16           | •     |
| 6.1 - 8    |             | 12    |               | •  |              | •     |
| 8.1 - 10   |             | 15    |               | •  |              | •     |
| 10.1 - 12  |             | 18    |               | •  |              | •     |
| 12.1 - 15  |             | 22    | 16            | •  | 28           | •     |
| 15.25 - 18 |             | 26    |               | •  |              | •     |
| 18.25 - 22 | 30          |       | •             |    | •            |       |
| 22.25 - 26 | 0.25        | 35    | 20            | •  | 36           | •     |
| 26.25 - 30 |             | 42    |               | •  |              | •     |
| 30.25 - 35 |             | 48    | 25            | •  | 45           | •     |
| 35.5 - 42  | 0.5         | 55    |               | •  |              | •     |
| 42.5 - 48  |             | 62    | 30            | •  | 56           | •     |
| 48.5 - 55  |             | 70    |               | •  |              | •     |
| 56 - 63    |             | 1     | 78            | 35 | •            | 67/72 |