

# Estrattori lamellari temprati - nitrurati testa cilindrica DIN 1530 FAH - FA DIN ISO 8693

Flat hardened - nitrided cylindrical head ejectors

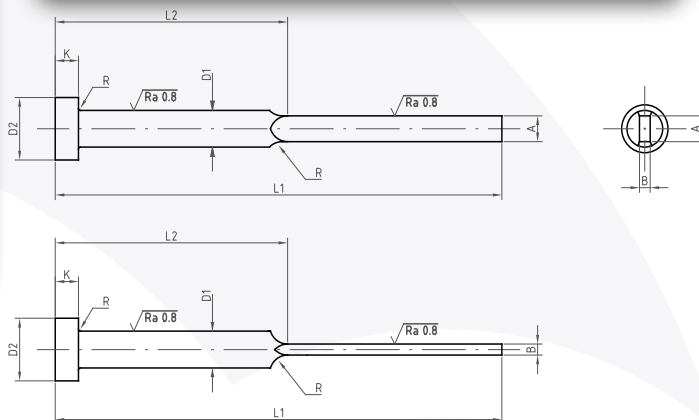
MADE IN ITALY



Materiale Material:  
 temprati hardened 1.2067 / 1.3505  
 nitrurati nitrided 1.2343 / 1.2344  
 Durezza Hardness:  
 temprati hardened HRC 58/62  
 nitrurati nitrided 1000/1100 Vickers

Esempio di ordinativo con nostro codice  
 Example of purchase order using our code

Estrattori lamellari Flat ejectors	Codice Code	Materiale Material	Misure Measures
4.2 x 1.2 x 3.8 x 80	2ETC	LT	042012080
16 x 2.5 x 15.5 x 400	2ETC	LN	160025400



D1 g6	A <sup>+0</sup> / <sub>-0.015</sub>	B <sup>+0</sup> / <sub>-0.015</sub>	D2 <sup>+0</sup> / <sub>-0.2</sub>	K <sup>+0</sup> / <sub>-0.05</sub>	L1 60	L1 80	L1 100	L1 125	L1 160	L1 200	L1 250	L1 315	L1 400
					L2 30	L2 40	L2 50	L2 60	L2 80	L2 100	L2 125	L2 160	L2 200
4	3.5	1	8	3	.	.	.	.					
4.2	3.8	1			.	.	.	.	.	.			
		1.2	.		.	.	.	.					
5	4.5	1	10	.	.	.	.	.	.				
		1.2		.	.	.	.	.	.				
		1.5		.	.	.	.	.	.				
6	5.5	1	12	.	.	.	.	.	.	.			
		1.2		.	.	.	.	.	.				
		1.5		.	.	.	.	.	.				
		2		.	.	.	.	.	.				
8	7.5	1.2	14	.	.	.	.	.	.	.			
		1.5		.	.	.	.	.	.	.			
		2		.	.	.	.	.	.	.			
10	9.5	1.5	16	.	.	.	.	.	.	.	.		
		2		.	.	.	.	.	.	.	.	.	
12	11.5	2	18	.	.	.	.	.	.	.	.	.	
		2.5		.	.	.	.	.	.	.	.	.	
16	15.5	2	22	.	.	.	.	.	.	.	.	.	
		2.5		.	.	.	.	.	.	.	.	.	